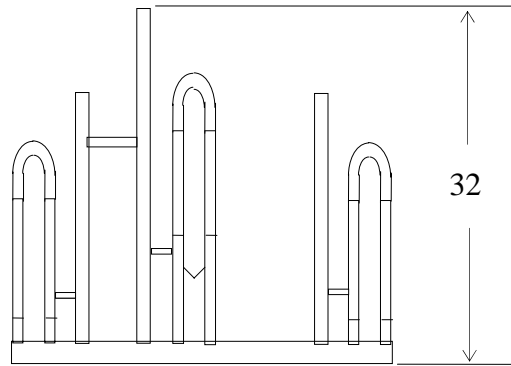
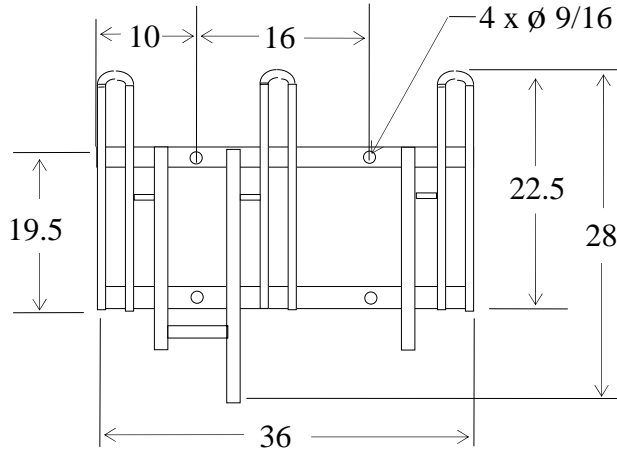




# Specifications

**3-bike Capacity:** Minimum Footprint with Bikes Inserted: 60" x 72"  
 (allows 12" on each side for handlebars)

Campus Standard 48 Lbs



Materials	Finish	Installation
Hot rolled ASTM A36 solid steel bars welded with GMAW (MIG).  Standard Base: 1/8" angle Wheel Holders: 1/2" diameter Wheel Troughs: 1/8" angle Locking Bars: 5/8" diameter	Standard finish is Hot Dipped Galvanized for superior durability. Optional powder coat is available with sand blasting, primer, color and clear coat (for additional cost).	Also available in hi/low/hi configuration, this rack is free standing and can function without mounting. However, it is recommended that it be secured on concrete with four tamper-resistant stainless steel anchors. (available from Peak Racks)