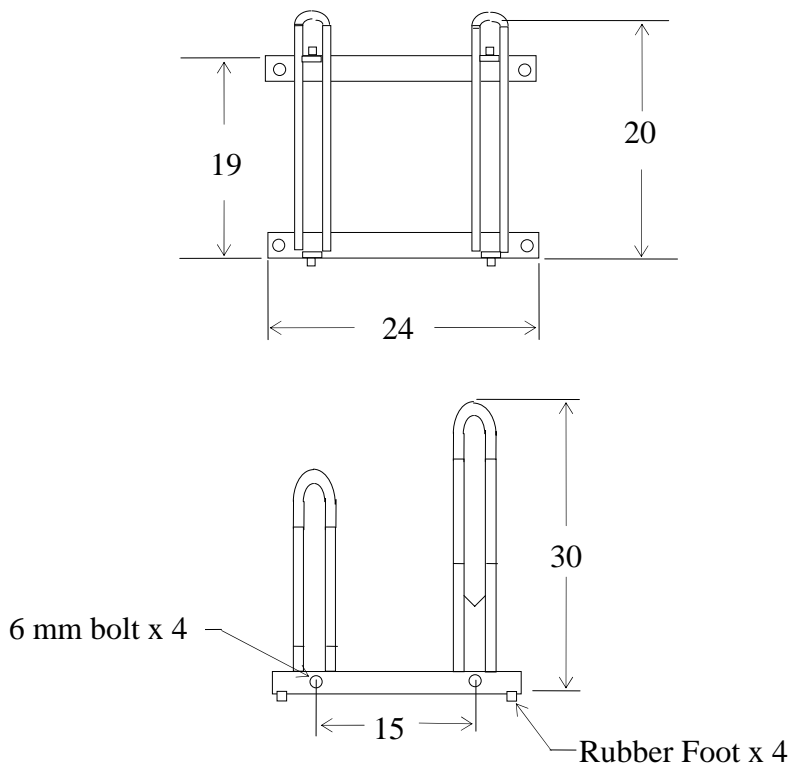




Specifications

2-bike Capacity: Minimum Footprint with Bikes Inserted: 40" x 72"
 Standard Weight 11.5 Lbs (allows 12" on each side for handlebars)



Materials	Finish	Installation
Hot rolled ASTM A36 solid steel bars welded with GMAW (MIG). Standard Base: 1/8" angle 1" x 1" Wheel Holders: 3/8" diameter	Black Powdercoat Wrinkle Finish	This rack is free standing and supplied with four rubber feet to keep the rack stable, off the ground, and non marring. This rack can be attached to any Peak Racks Home Rack to make a larger rack.