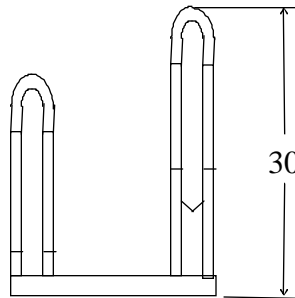
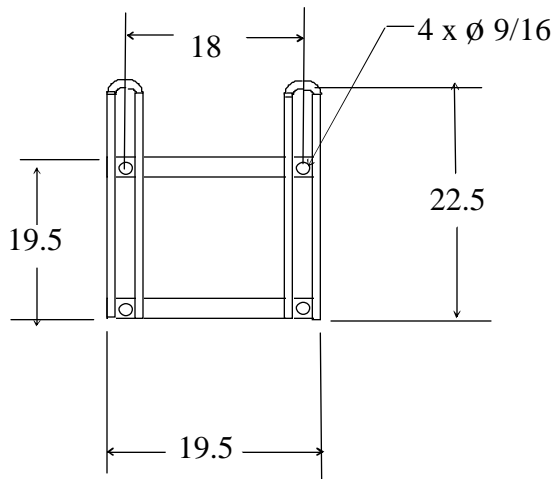




Specifications

2-bike Capacity: Minimum Footprint with Bikes Inserted: 44" x 72"
 Home Standard 20 Lbs (allows 12" on each side for handlebars)
 With optional light duty Locking Bars 28 Lbs

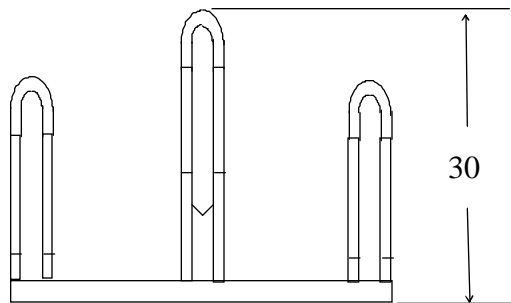
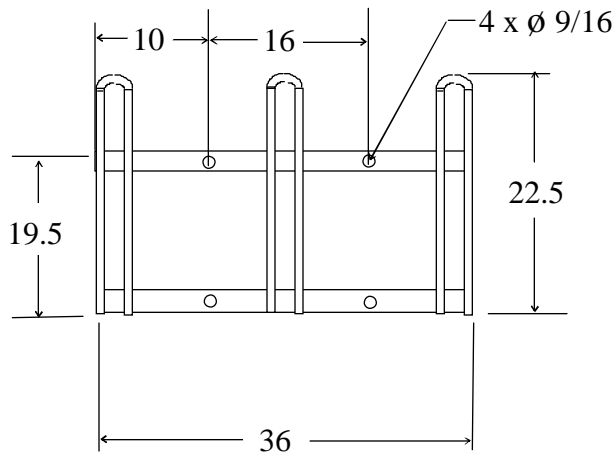


Materials	Finish	Installation
Hot rolled ASTM A36 solid steel bars welded with GMAW (MIG). Standard Base: 1/8" angle 1.25 x 1.25 Wheel Holders: 1/2" diameter Wheel Troughs: 1/8" angle	Available bare, raw steel (customer paints), hot dipped galvanized, standard powdercoat or powdercoat with clear.	This rack is free standing and can function without mounting, but it can be secured with bolts to most surfaces.



Specifications

3-bike Capacity: Minimum Footprint with Bikes Inserted: 60" x 72"
 Home Standard 29 Lbs (allows 12" on each side for handlebars)
 With Light Duty Locking Bars 40 Lbs

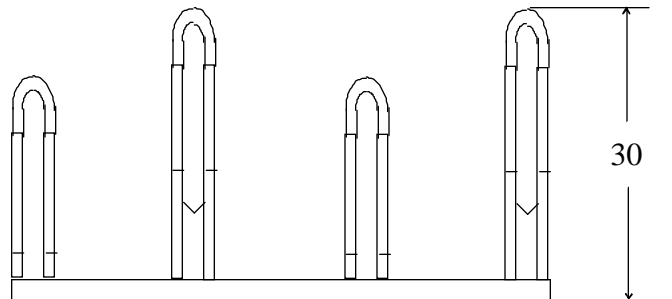
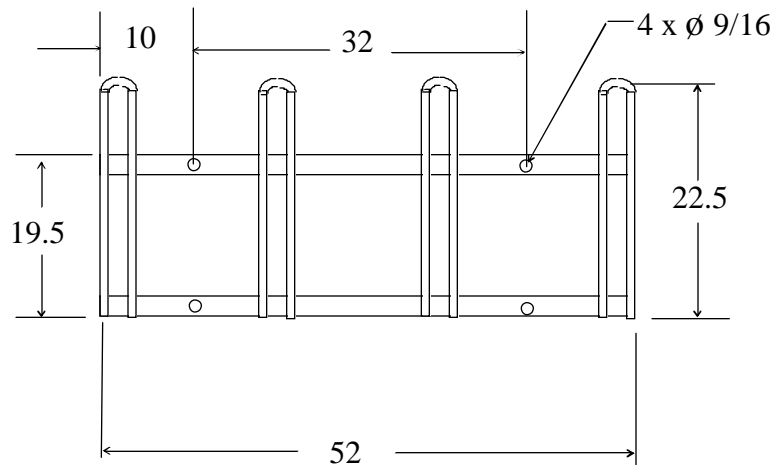


Materials	Finish	Installation
Hot rolled ASTM A36 solid steel bars welded with GMAW (MIG). Standard Base: 1/8" angle 1.25 x 1.25 Wheel Holders: 1/2" diameter Wheel Troughs: 1/8" angle	Available bare, raw steel (customer paints), hot dipped galvanized, standard powdercoat or powdercoat with clear.	This rack is free standing and can function without mounting, but it can be secured with bolts to most surfaces.



Specifications

4-bike Capacity: Minimum Footprint with Bikes Inserted: 76" x 72"
 Home Standard 41 Lbs (allows 12" on each side for handlebars)
 With Light Duty Locking Bars 57 Lbs

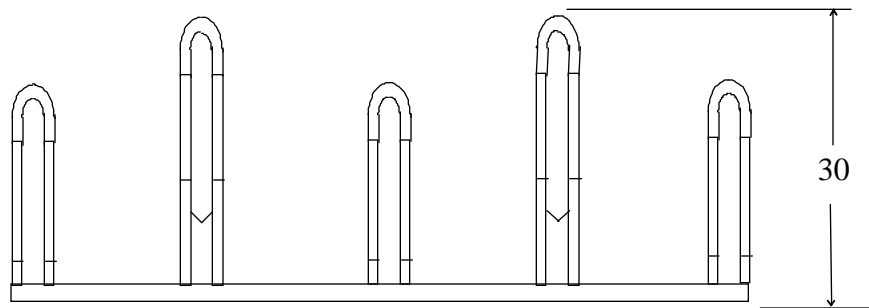
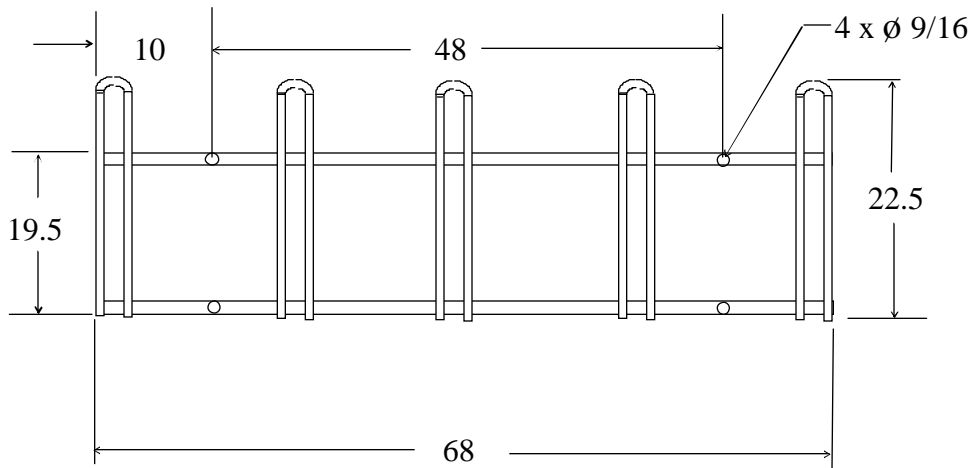


Materials	Finish	Installation
Hot rolled ASTM A36 solid steel bars welded with GMAW (MIG). Standard Base: 1/8" angle 1.25 x 1.25 Wheel Holders: 1/2" diameter Wheel Troughs: 1/8" angle	Available bare, raw steel (customer paints), hot dipped galvanized, standard powdercoat or powdercoat with clear.	This rack is free standing and can function without mounting, but it can be secured with bolts to most surfaces.



Specifications

5-bike Capacity: Minimum Footprint with Bikes Inserted: 93" x 72"
 Home Standard 50 Lbs (allows 12" on each side for handlebars)
 With Light Duty Locking Bars 71 Lbs

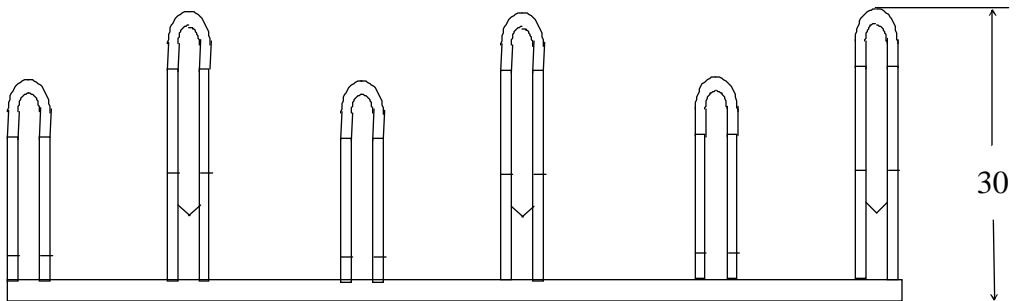
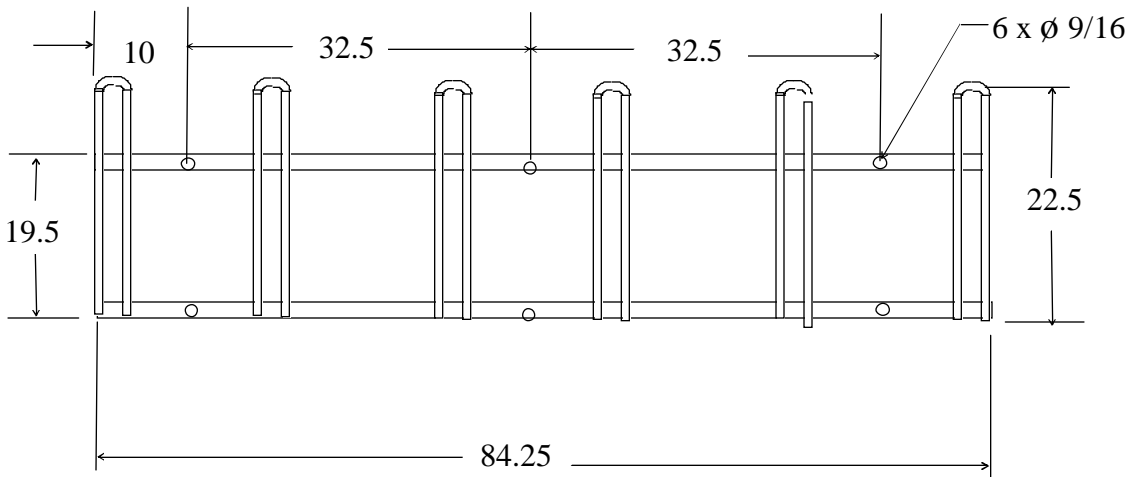


Materials	Finish	Installation
Hot rolled ASTM A36 solid steel bars welded with GMAW (MIG). Standard Base: 1/8" angle 1.25 x 1.25 Wheel Holders: 1/2" diameter Wheel Troughs: 1/8" angle	Available bare, raw steel (customer paints), hot dipped galvanized, standard powdercoat or powdercoat with clear.	This rack is free standing and can function without mounting, but it can be secured with bolts to most surfaces.



Specifications

6-bike Capacity: Minimum Footprint with Bikes Inserted: 109" x 72"
 Home Standard 62 Lbs (allows 12" on each side for handlebars)
 With Light Duty Locking Bars 86 Lbs

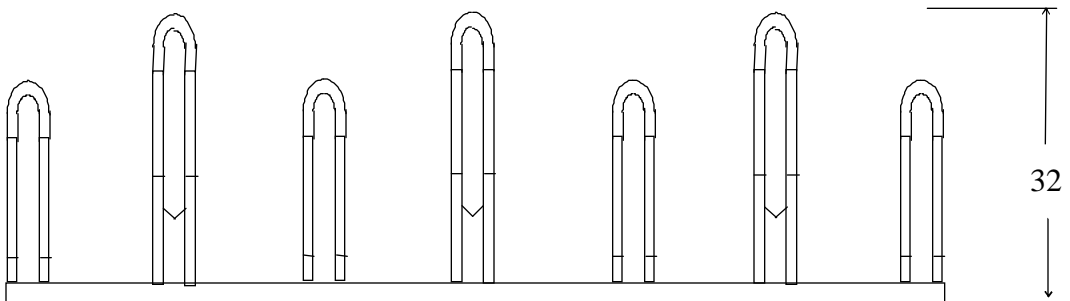
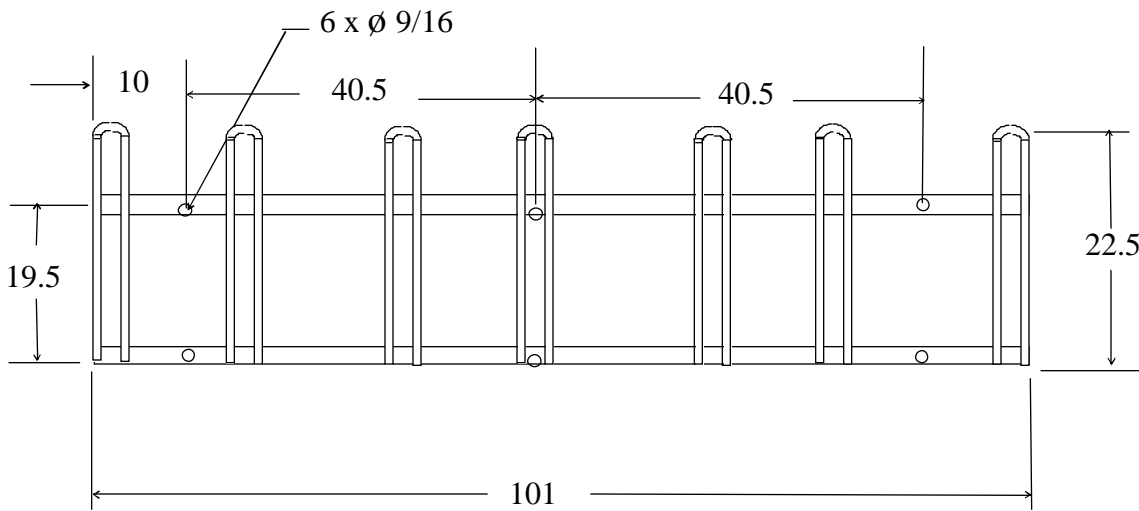


Materials	Finish	Installation
Hot rolled ASTM A36 solid steel bars welded with GMAW (MIG). Standard Base: 1/8" angle 1.25 x 1.25 Wheel Holders: 1/2" diameter Wheel Troughs: 1/8" angle	Available bare, raw steel (customer paints), hot dipped galvanized, standard powdercoat or powdercoat with clear.	This rack is free standing and can function without mounting, but it can be secured with bolts to most surfaces.



Specifications

7-bike Capacity: Minimum Footprint with Bikes Inserted: 125" x 72"
 Home Standard 71 Lbs (allows 12" on each side for handlebars)
 With Light Duty Locking Bars 98 Lbs

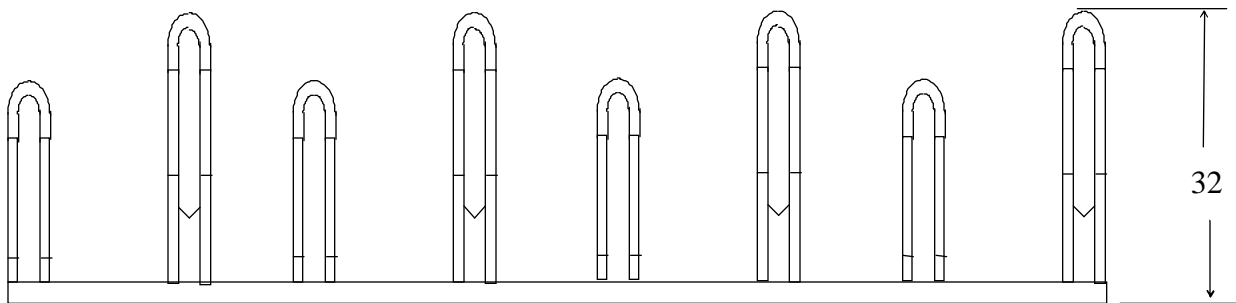
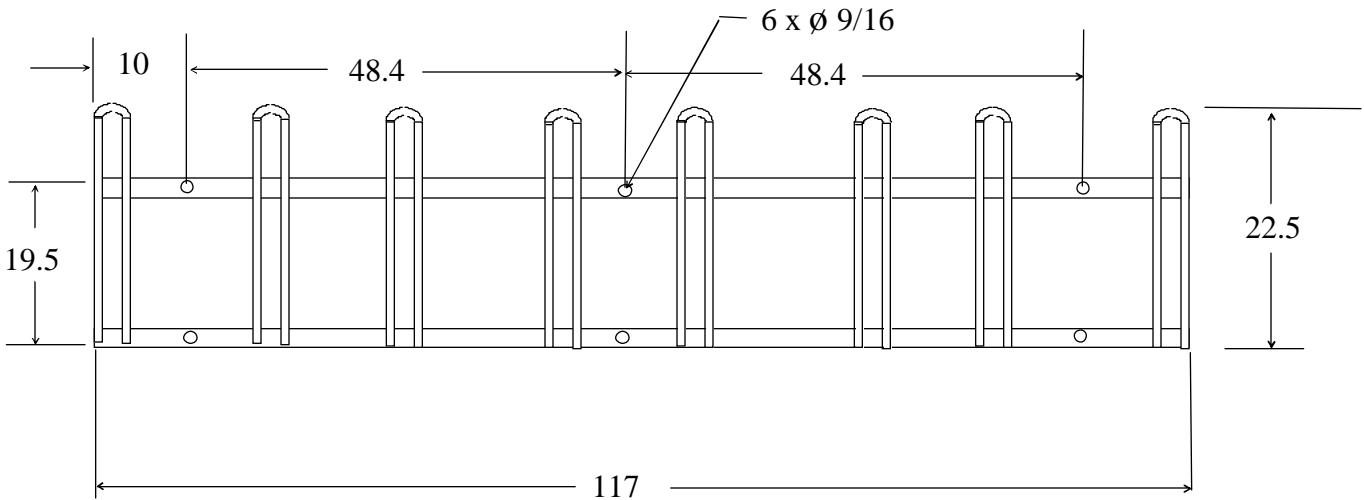


Materials	Finish	Installation
Hot rolled ASTM A36 solid steel bars welded with GMAW (MIG). Standard Base: 1/8" angle 1.25 x 1.25 Wheel Holders: 1/2" diameter Wheel Troughs: 1/8" angle	Available bare, raw steel (customer paints), hot dipped galvanized, standard powdercoat or powdercoat with clear.	This rack is free standing and can function without mounting, but it can be secured with bolts to most surfaces.



Specifications

8-bike Capacity: Minimum Footprint with Bikes Inserted: 141" x 72"
 Home Standard 84 Lbs (allows 12" on each side for handlebars)
 With Light Duty Locking Bars 116 Lbs



Materials	Finish	Installation
Hot rolled ASTM A36 solid steel bars welded with GMAW (MIG). Standard Base: 1/8" angle 1.25 x 1.25 Wheel Holders: 1/2" diameter Wheel Troughs: 1/8" angle	Available bare, raw steel (customer paints), hot dipped galvanized, standard powdercoat or powdercoat with clear.	This rack is free standing and can function without mounting, but it can be secured with bolts to most surfaces.